

Name: _____ Learning Mentor Group:

Teacher's Name: _____ Class: _____

Open Curriculum Faculty Extended Learning Project

Design Technology Year 7

Booklet 1 Wood theory and Electronics



| Task number | Homework due date |
|-------------|-------------------|
| 1 | |
| 2 | |
| 3 | |
| 4 | |

Wood Theory

Softwood.... Give 2 examples of softwoods

Hardwood...Give 2 examples of hardwoods

Deciduous means.....

Coniferous means.....

An example of a manmade board is....

An advantage of using a manmade board is.....

A disadvantage is.....

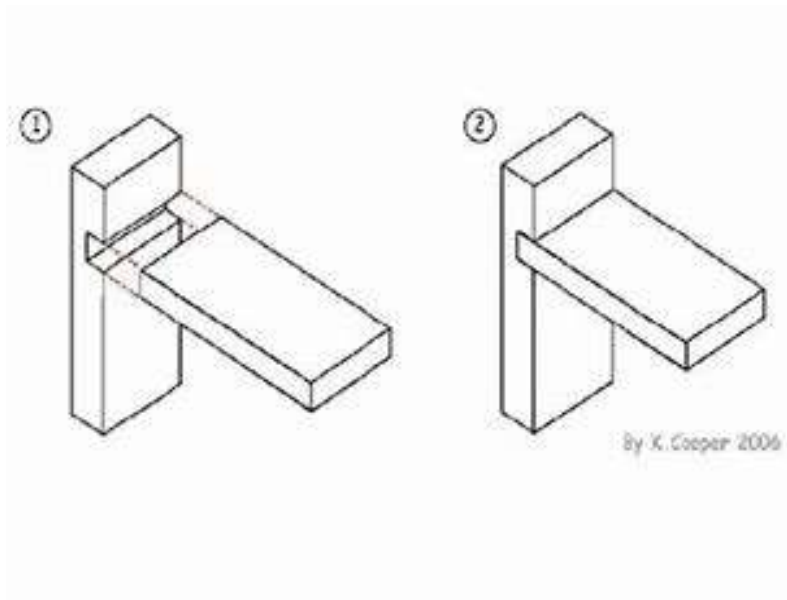
A good finish to put on wood is....

This is because.....

Wood Joints

Produce a step-by-step guide to producing a housing joint.

Describe all the processes including all the tools needed.



Key words
Rule
Tri square
Tenon saw
Chisel
PVA glue